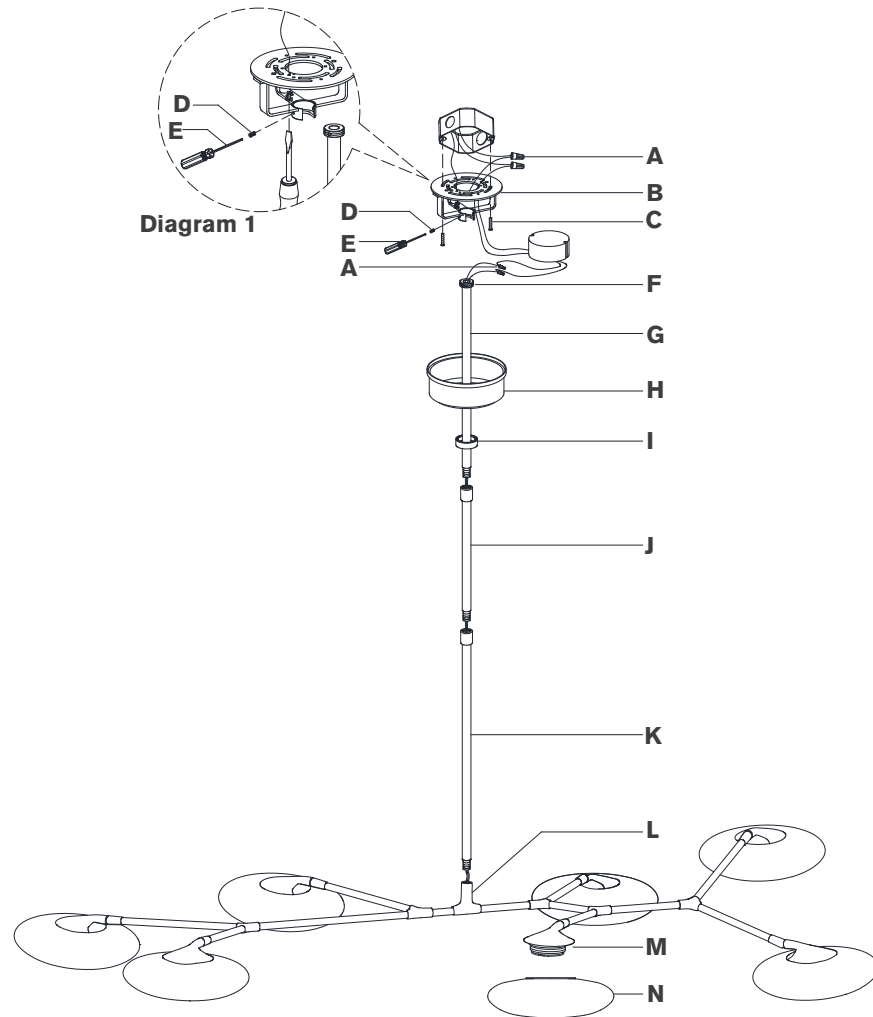


ASSEMBLY INSTRUCTIONS



Brindille XL Articulating Linear Chandelier

Item # CD 5015

NOTICE:

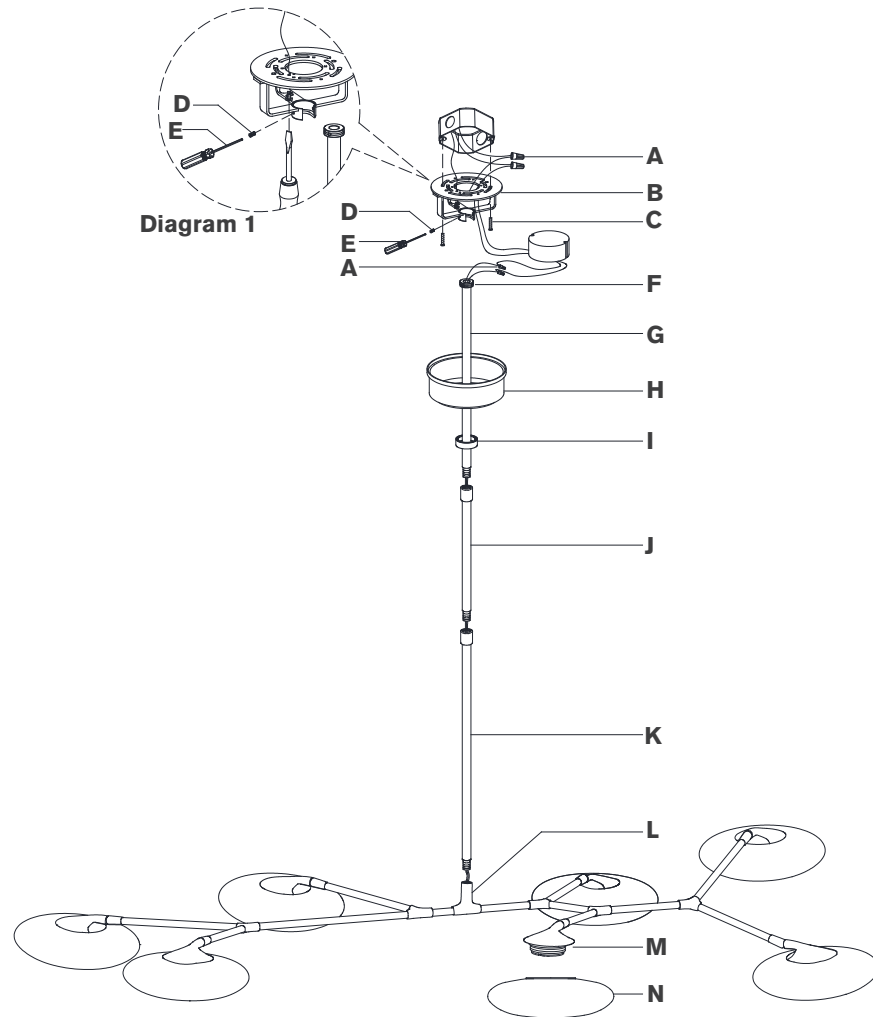
This light fixture should be installed in accordance with all applicable, local installation codes, and by a person familiar with the construction and operation of it, as well as the hazards involved. Inspect item and contents carefully. If any damage or defect is found, do not install. Retain all packaging material until installation is complete and approved.

TOOLS REQUIRED (NOT INCLUDED):

Phillips Screwdriver Slotted Screwdriver Wire Strippers
Wire Cutters

1. Carefully remove all parts from the box. Place on a clean, soft surface.
2. Remove canopy (**H**) from mounting plate (**B**) by removing collar ring (**I**).
3. Install mounting plate (**B**) to the junction box and secure with mounting screws (**C**).
4. Feed electrical wire through bottom rod (**K**) and connect to fixture (**L**). Repeat for middle rod (**J**), connecting to bottom rod (**K**).
5. Continue feeding wire through collar ring (**I**), canopy (**H**) and top rod (**G**).
6. Holding fixture upright, slide collar ring (**I**) and canopy (**H**) down and rest on fixture (**L**). Then connect top rod (**G**) to middle rod (**J**).
NOTE: Slide components down slowly to avoid damages.
7. Hang fixture swivel ball (**F**) to center of mounting plate (**B**) and secure with set screw (**D**) using provided wrench (**E**).
8. Cut excess wire, being sure to leave enough to reach the junction box. Separate wires, and strip insulation on each 5/8".
9. Connect supply ground wire (usually green or bare copper) around the green grounding screw (see diagram 1). Tighten.
NOTE: It is imperative that the fixture is grounded.

ASSEMBLY INSTRUCTIONS



Brindille XL Articulating Linear Chandelier

Item # CD 5015

NOTICE:

This light fixture should be installed in accordance with all applicable, local installation codes, and by a person familiar with the construction and operation of it, as well as the hazards involved. Inspect item and contents carefully. If any damage or defect is found, do not install. Retain all packaging material until installation is complete and approved.

10. Connect driver input neutral wire (white) to the supply neutral wire (usually white) using wire nut **(A)**.
11. Connect driver input hot wire (black) to the supply hot wire (usually black) using wire nut **(A)**.
CAUTION: Do not reverse the hot and neutral connections.
12. Connect fixture neutral wire (black) to driver output wire (black) using wire nut **(A)**.
13. Connect fixture hot wire (red) to driver output wire (red) using wire nut **(A)**.
CAUTION: Do not reverse the hot and neutral connections.
14. Make sure all wire connections are tight, then carefully tuck into the junction box.
15. Insert driver into mounting plate **(B)** bracket.
16. Install canopy **(H)** to mounting plate **(B)** and secure with collar ring **(I)**.
17. Thread glass shade **(N)** to metal caps **(M)**.
NOTE: Do not over-tighten otherwise shade could become damaged.

Care Instructions: Clean only with a soft dry cloth or feather duster. Do not use abrasive or chemical agents.