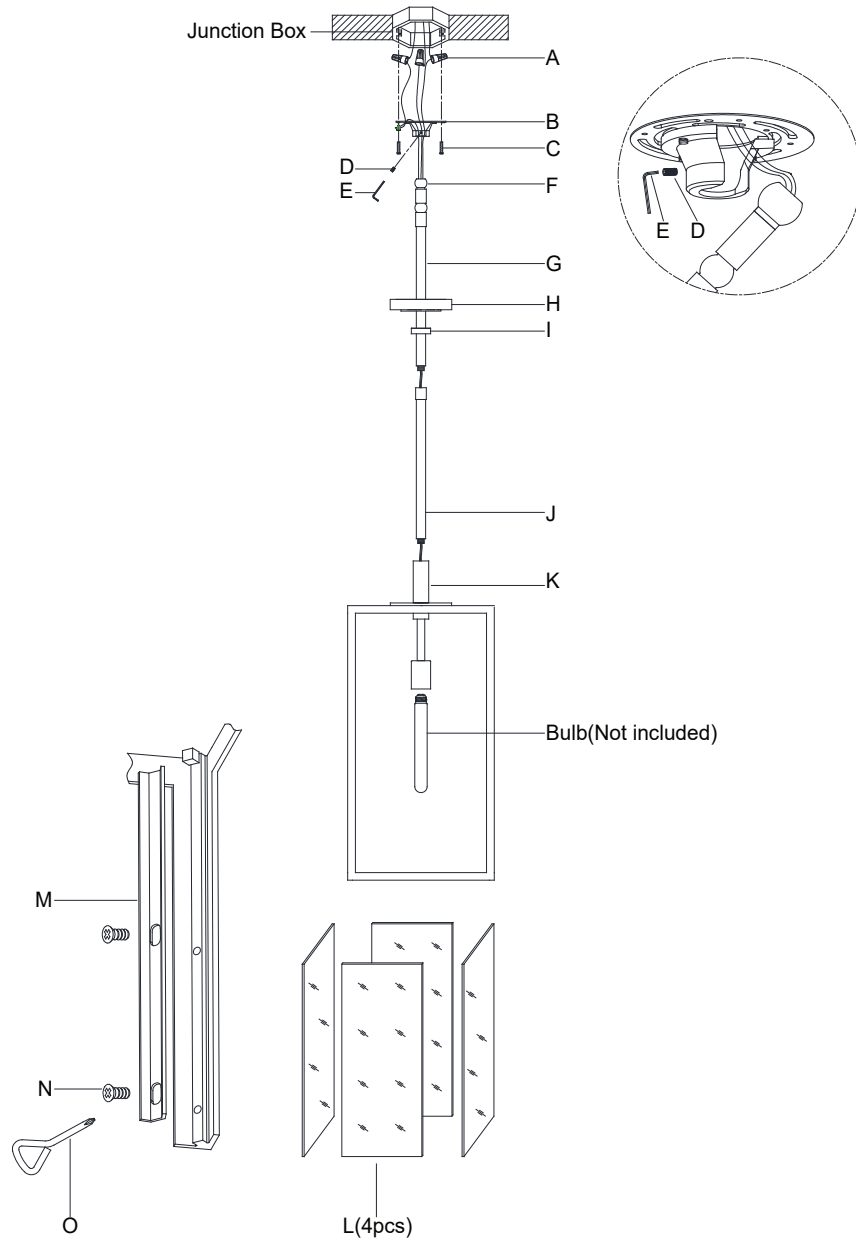


## ASSEMBLY INSTRUCTIONS



## Fresno Large Hanging Lantern

Item # CHO 5934

**WE RECOMMEND INSTALLATION OF THIS LIGHTING FIXTURE BE DONE BY A LICENSED ELECTRICIAN.**

**WARNING\*\*\*SWITCH OFF THE MAIN ELECTRICAL SUPPLY FROM THE MAIN FUSE BOX/CIRCUIT BREAKER BEFORE INSTALLATION.**

**INSPECT ITEM CAREFULLY BEFORE ATTEMPTING TO INSTALL. IF THERE IS ANY DAMAGE OR OBVIOUS DEFECT. DO NOT INSTALL.**

**ITEM MAY NOT BE RETURNED ONCE IT HAS BEEN INSTALLED.**

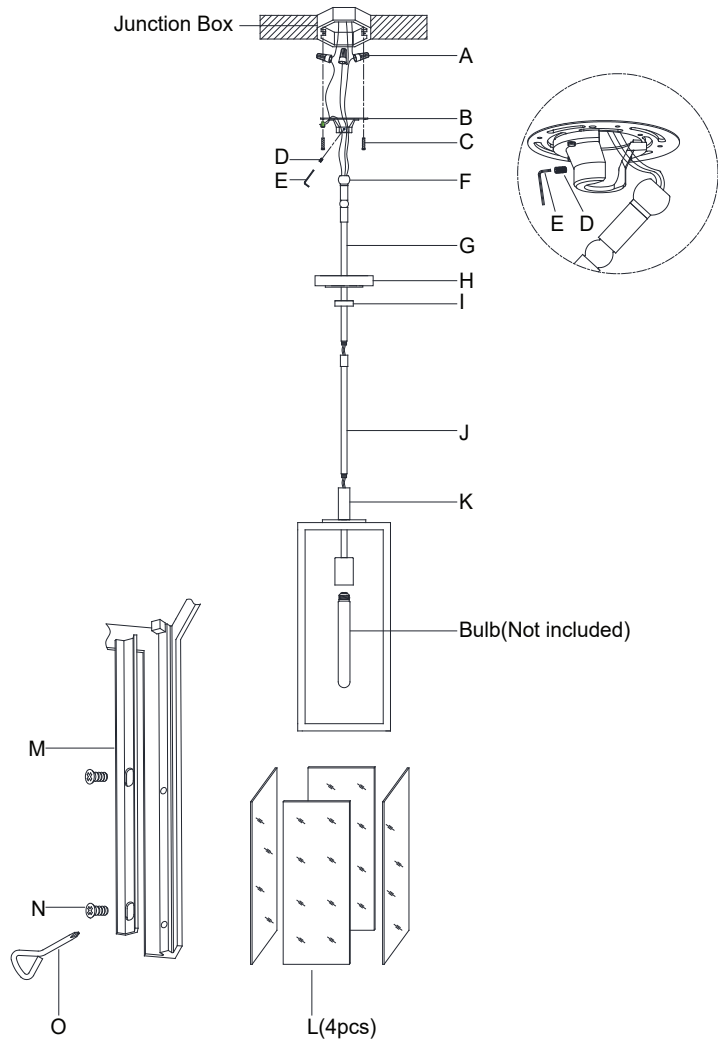
**NOTE: CAREFULLY UNPACK EACH PIECE IN TOP LAYER OF PACKING PRIOR TO REMOVING. RETAIN ALL PACKING MATERIAL UNTIL INSPECTION AND INSTALLATION ARE FINAL.**

1. Carefully remove all parts from the box.
2. Remove the mounting plate (B) from the canopy (H) by unscrewing the collar ring (I).
3. Install the mounting plate (B) to junction box and secure with the mounting screws (C).
4. Remove the metal bars (M) from the fixture body (K) by unscrewing the screws (N) using the screwdriver (O) provided.
5. Attach the glass panels (L) to the fixture body (K) and secure with the metal bars (M) and secure with screws (N) using the screwdriver (O) provided.  
DO NOT OVER-TIGHTEN SCREWS , OTHERWISE GLASS COULD BECOME DAMAGED.
6. Feed the wires through the rod (J) ,collar ring (I) ,canopy (H) and rod (G).
7. Thread the rod (J) to the fixture body (K), then thread the rod (G) to the rod (J).
8. Hang the fixture swivel ball (F) to the center of the mounting plate (B) and secure with the set screw (D) using the wrench (E).
9. Measure the wires then cut, be certain to leave enough length to connect to the wires in the junction box.
10. Strip the insulation on the fixture wires about 5/8".
11. Wrap the fixture ground wire to the green ground screw on the mounting plate (B) and secure, then connect to ground wire in the junction box using wire nut (A).  
IT IS IMPERATIVE THAT THIS FIXTURE BE GROUNDED.

VISUAL COMFORT



## ASSEMBLY INSTRUCTIONS



## Fresno Large Hanging Lantern

Item # CHO 5934

**WE RECOMMEND INSTALLATION OF THIS LIGHTING FIXTURE BE DONE BY A LICENSED ELECTRICIAN.**

**WARNING\*\*\*SWITCH OFF THE MAIN ELECTRICAL SUPPLY FROM THE MAIN FUSE BOX/CIRCUIT BREAKER BEFORE INSTALLATION.**

**INSPECT ITEM CAREFULLY BEFORE ATTEMPTING TO INSTALL. IF THERE IS ANY DAMAGE OR OBVIOUS DEFECT. DO NOT INSTALL.**

**ITEM MAY NOT BE RETURNED ONCE IT HAS BEEN INSTALLED.**

**NOTE: CAREFULLY UNPACK EACH PIECE IN TOP LAYER OF PACKING PRIOR TO REMOVING. RETAIN ALL PACKING MATERIAL UNTIL INSPECTION AND INSTALLATION ARE FINAL.**

12. Connect the fixture ribbed wire (no marking) to the junction box neutral wire with the wire nut (A).
13. Connect the fixture smooth wire (with marking) to the junction box hot wire with the wire nut (A).  
DO NOT REVERSE THE HOT AND NEUTRAL CONNECTIONS OTHERWISE SAFETY WILL BE COMPROMISED.
14. Carefully tuck the wire connections into the junction box.
15. Install the canopy (H) to the junction box and secure with the collar ring (I).
16. Insert bulb (not included) into the socket.
17. Installation is complete, turn on power at fuse or circuit breaker.

\*\*\*Clean with a dry, soft cloth only. Use no harsh abrasives or chemical agents.