

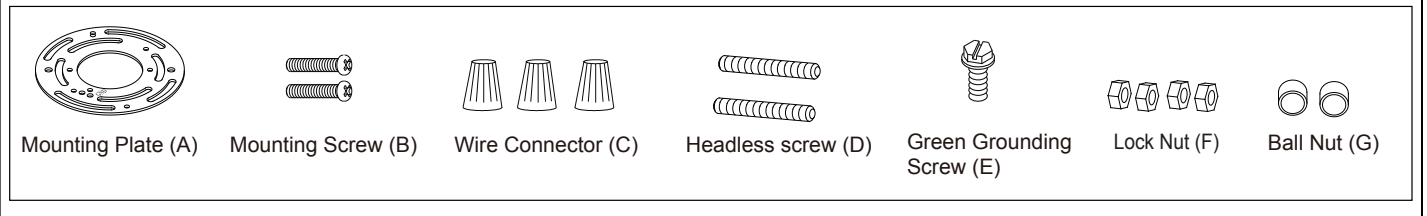
# ASSEMBLY AND INSTALLATION INSTRUCTIONS

T0361

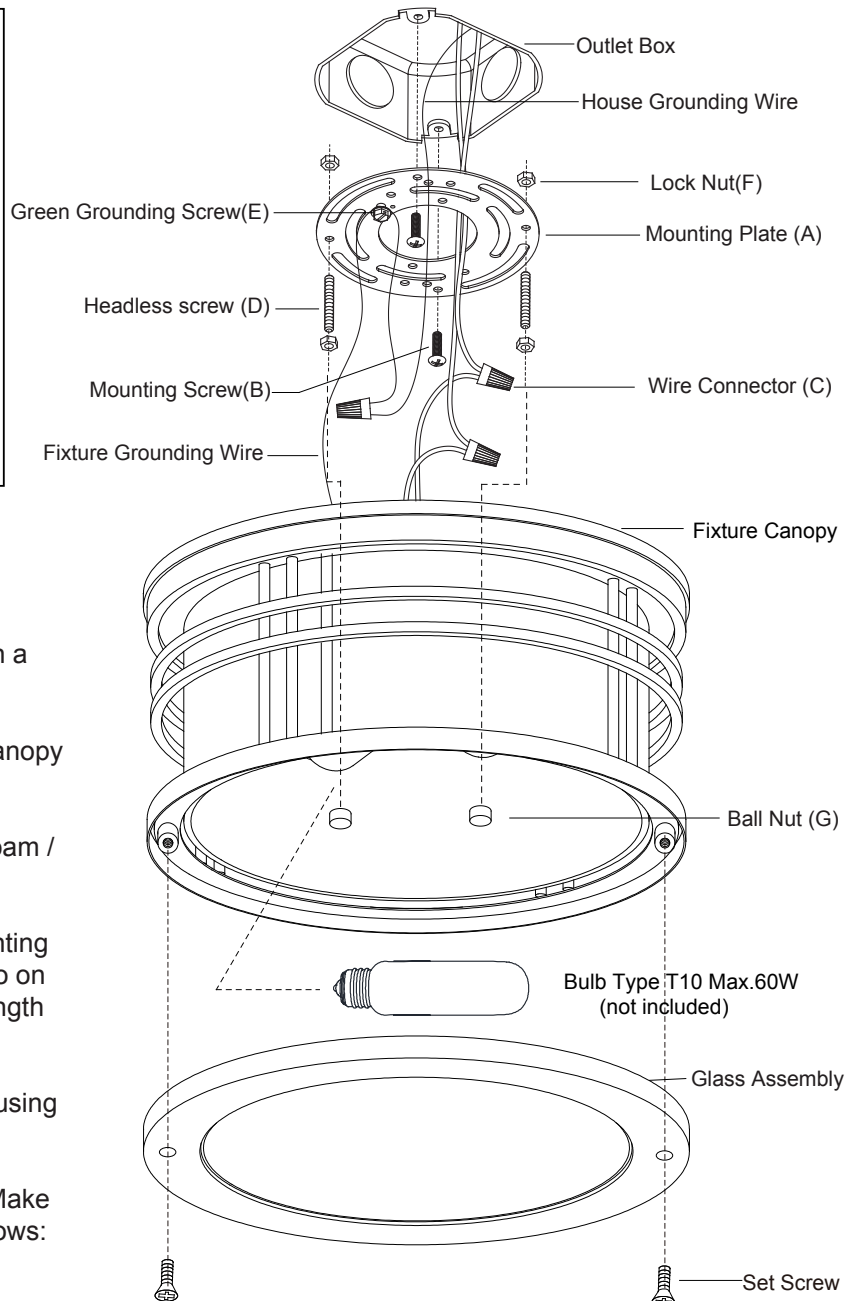
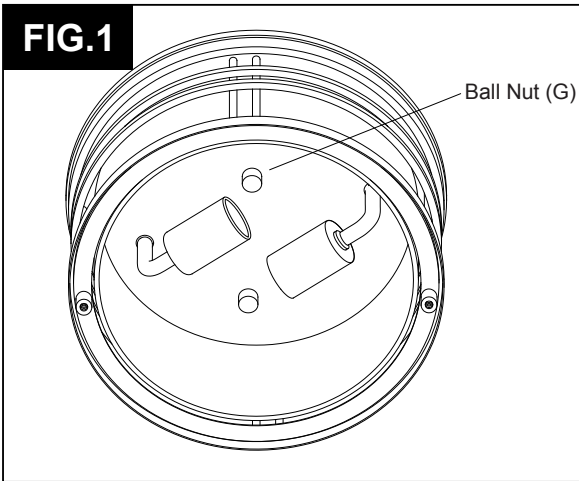
**WARNING:** TO AVOID RISK OF ELECTRICAL SHOCK, BE SURE TO SHUT OFF POWER BEFORE INSTALLING OR SERVICING THIS FIXTURE.

**NOTE:** 1. Before installing, consult local electrical codes for wiring and grounding requirements.  
2. READ AND SAVE THESE INSTRUCTIONS.

## Hardware Package (included):



**FIG.1**



## Installation Steps

Turn off the power at fuse or circuit box

1. Carefully unpack the fixture, lay out all parts on a clean surface.
2. Remove the glass assembly from the fixture canopy by unscrew two set screws.
3. Before installing the fixture, then remove the foam / bubble bag from the fixture.
4. Thread two headless screws through the mounting plate, then secure them with four lock nuts (two on each side of the mounting plate). Adjust the length of the headless screws if necessary.
5. Attach the mounting plate to the outlet box by using two mounting screws.
6. Pull out the source wires from the outlet box. Make wire connections using wire connectors as follows:

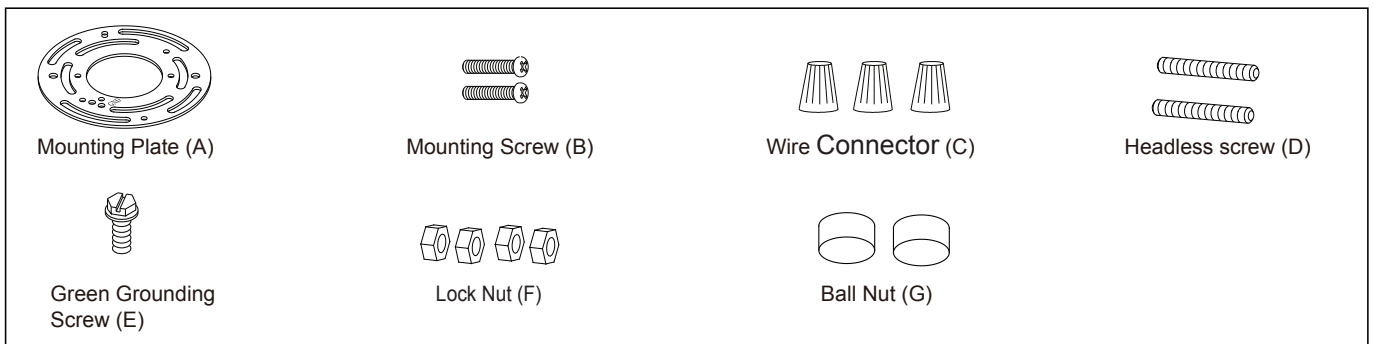
- Connect the hot wire (usually black insulation) from the fixture to the black wire from the power source.
  - Connect the neutral wire (usually white insulation) from the fixture to the white wire from the power source.
  - Attach the fixture grounding wire (usually green insulation or bare wire) to the mounting strap with the green grounding screw, and then connect it to the house grounding wire with the wire connector.
- Carefully put the wires back into the outlet box.

7. Attach fixture canopy to the wall by aligning headless screws on mounting strap with holes on fixture canopy. Slide headless screws through holes, secure them with two ball nuts.
8. Install bulbs (not included). See relamping label at socket area or packaging for maximum allowed wattage.
9. Attach the glass assembly onto the frame by aligning holes, secure the set screws from the bottom holes of the glass assembly into the holes in the bottom of the frame.

**Turn on the power at fuse or circuit box.**

The following parts are available for re-order if damaged or missing.

**Spare Parts List:**



Assembly Kit 5801MM (1SET)

